

Clarke®



SAND BLAST CABINET

MODEL NO: SB30

PART NO: 7640115

USER INSTRUCTIONS

UK
CA | CE



DL1123 Rev 6

INTRODUCTION

Thank you for purchasing this CLARKE Sand Blast Cabinet which is designed for professional workshop use.

Before attempting to operate the cabinet, please read this manual thoroughly and carefully follow all instructions given. In doing so you will ensure the safety of yourself and that of others around you, and you can also look forward to the product giving you long and satisfactory service.

GUARANTEE

This CLARKE product is guaranteed against faulty manufacture for a period of 12 months from the date of purchase. Please keep your receipt as proof of purchase.

This guarantee is invalid if the product is found to have been abused or tampered with in any way, or not used for the purpose for which it was intended.

Faulty goods should be returned to their place of purchase, no product can be returned to us without prior permission.

This guarantee does not effect your statutory rights.

ENVIRONMENTAL PROTECTION



Recycle unwanted materials instead of disposing of them as waste. All unwanted accessories and packaging should be sorted and taken to a recycling centre for disposal in a manner which is compatible with the environment.

Through purchase of this product, the customer is taking on the obligation to deal with the WEEE in accordance with the WEEE regulations in relation to the treatment, recycling & recovery and environmentally sound disposal of the WEEE.

In effect, this means that this product must not be disposed of with general household waste. It must be disposed of according to the laws governing Waste Electrical and Electronic Equipment (WEEE) at a recognised disposal facility.

DESCRIPTION

The cabinet is lit by a low voltage (12 volt) LED strip light, fed from a plug-in type transformer. The switchbox is mounted on the left side of the cabinet. The transformer should be plugged directly into the mains supply and connected to the switchbox which contains the ON/OFF rocker switch.

A vacuum extraction device must be used, connected to the port in the left side of the cabinet.

At the rear of the cabinet is a breather, which must be clear at all times.

The cabinet is provided with a window, the inside of which is protected by a clear plastic membrane. The protective membrane may be renewed quickly and easily should it become damaged by the sand blast action.

A variety of abrasive nozzles is supplied with the unit to produce a useful range of power and grit densities to satisfy all requirements. The cabinet is designed for use with dry abrasives ONLY. We recommend Aluminium Oxide (for cleaning steel) and Glass Beads (for cleaning aluminium).

It is necessary to provide a clean, dry air supply, capable of delivering a minimum of 10 cuft/min at a maximum 100psi. Please consult your air compressor manual, ensuring you comply with all safety precautions regarding the use of air compressors, and observe all necessary precautions when using compressed air.

If an air compressor is used, ensure it is located well away from the cabinet.

SAFETY PRECAUTIONS

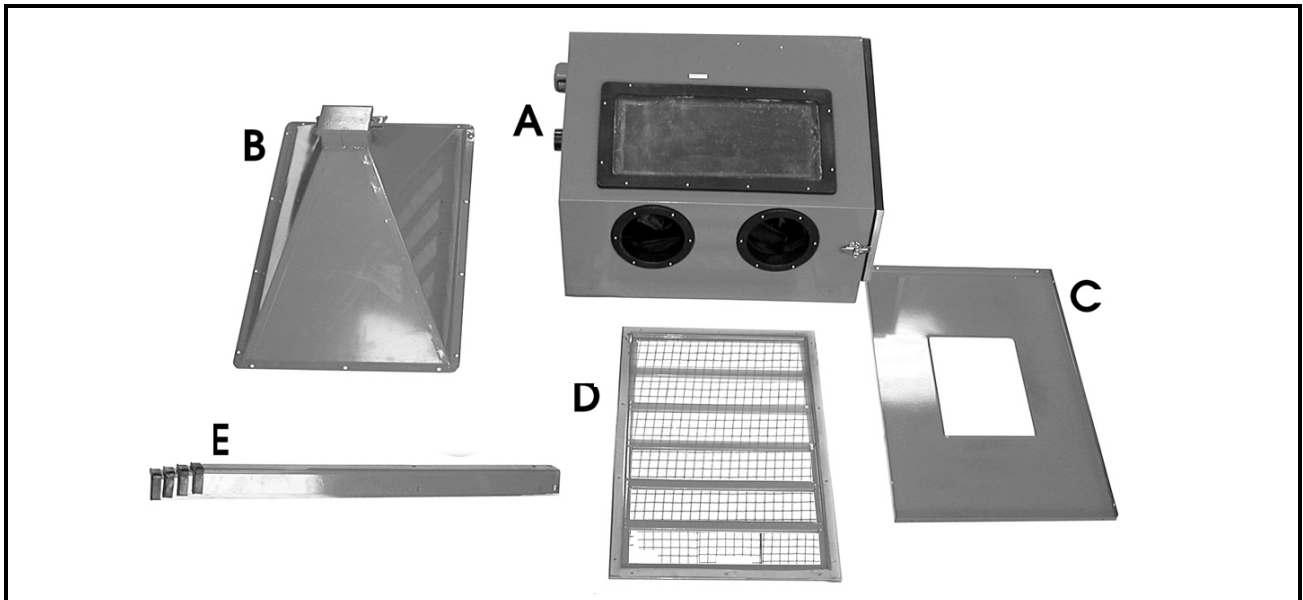
Ensure you comply with all precautions regarding the use of air compressors and compressed air.

- Ensure all air connections are secure.
- **DO NOT** use the machine if the integral gloves are ripped or unserviceable.
- Keep the jet well away from the air hose, gloves, LED strip light & window.
- Ensure the clear plastic lid is firmly secured before pressing the trigger.
- **ALWAYS** wear safety glasses. (Normal eye glasses are **NOT** safety glasses).
- **DO NOT** use any silica based abrasives with this tool. Silica based abrasives have been linked to severe respiratory disease. Always use recommended abrasives. Abrasives used in this unit may be covered by COSHH Regulations.

INVENTORY

Carefully unpack the unit, and check to ensure that no damage was caused in transit. Should any damage be apparent, please contact your Clarke dealer immediately. Remove all components from the carton and check them against the following.

ITEMS SUPPLIED LOOSE.



A - Cabinet

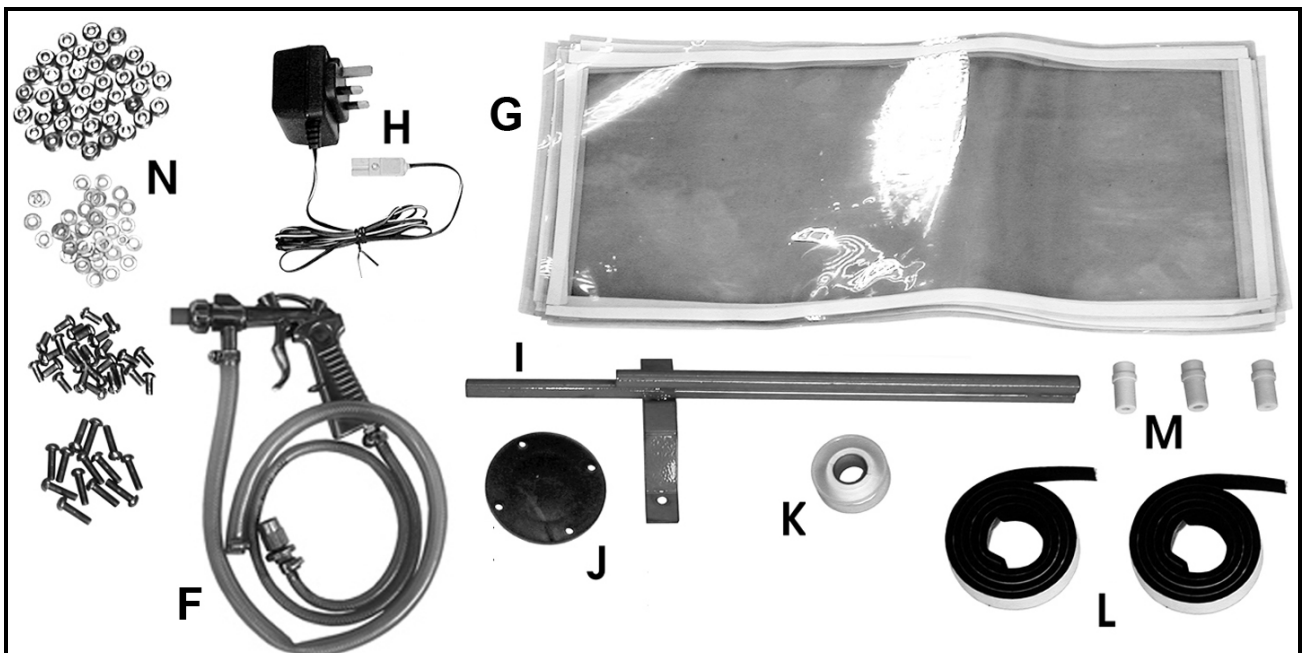
B - Funnel

C - Shelf

D - Grid Support

E - Legs

ITEMS SUPPLIED IN THE CARTON



F - Gun & Hose

G - Protective Film

H - Transformer

I - Pick-up Tube

J - Intake Vent Cover

K - PTFE Tape

L - Foam Strip (may be fitted)

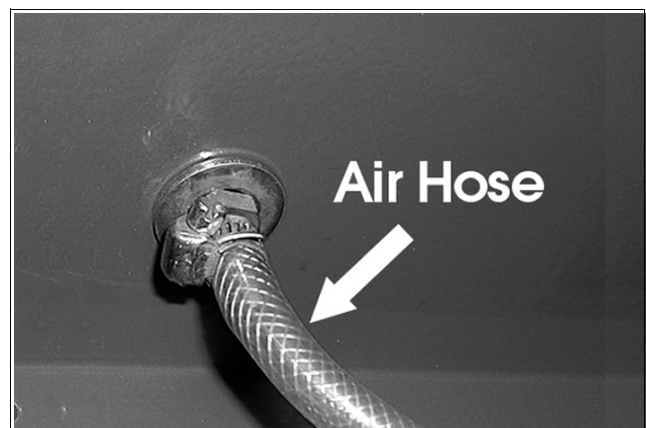
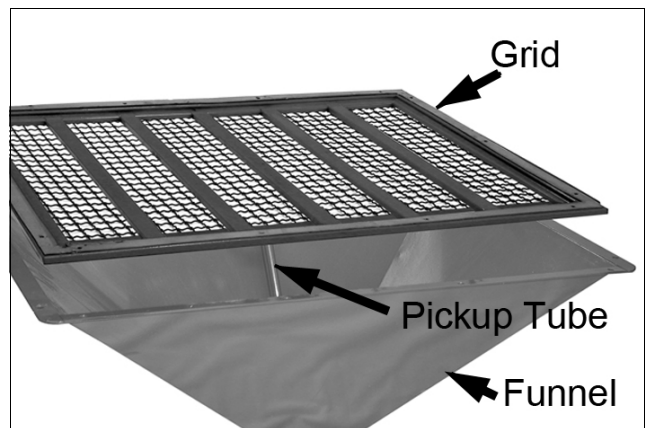
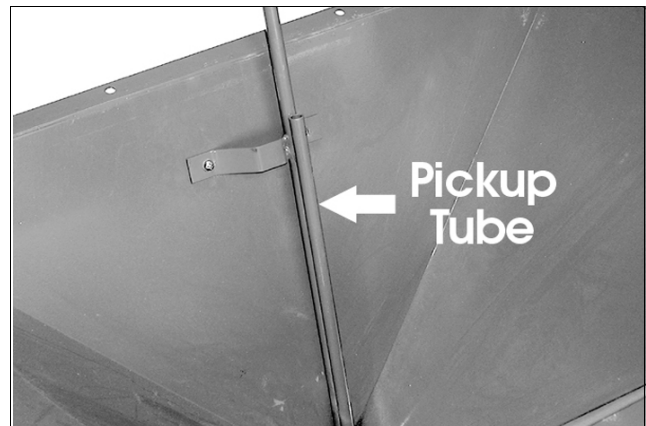
M - Ceramic Nozzles (one nozzle fitted)

N - Nuts, screws & washers

ASSEMBLY

NOTE: PTFE tape is provided for use to ensure an airtight fit.

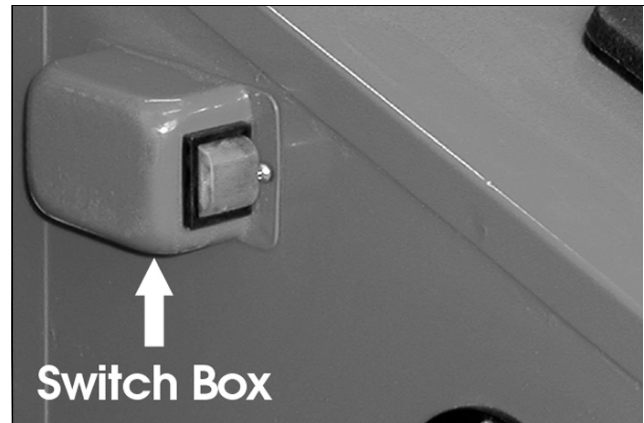
1. Lay the cabinet on its back and attach the four legs using the M6 x12mm screws, flat washers and nuts, ensuring the flat washers are against the screw heads.
2. Fit the intake vent cover to the cabinet.
3. Attach the pick-up tube to the funnel as shown, using the M6 x 12mm screws provided.
4. If not already fitted, peel the backing paper from the foam strip and apply the strip to the edge of the grid support. Trim the strip accordingly.
5. Use a punch (or similar) to make holes in the foam strip, at the bolt holes.
6. Place the grid support on the funnel flange and the grid into the recess in the grid support, so that the pick-up tube protrudes through the grid neatly. Do not use undue force.
7. Turn the cabinet on to its legs then and with assistance, raise the funnel to meet the underside of the cabinet, ensuring the pickup tube is at the front of the cabinet. Bolt the funnel assembly to the cabinet using the M6 x 20mm screws with the nuts and flat washers provided, ensuring the flat washers are against the screw heads.
8. Open the cabinet door and attach the air hose from the gun to the inlet port on the front of the cabinet, then connect the pick-up hose from the gun to the pick-up tube attached to the funnel, securing with the worm drive clip provided.
9. Attach the shelf to the legs using the screws and nuts provided.



OPERATION

Plug the transformer into the power supply and switch the power ON. Switch the lamp ON by pushing the rocker switch on the switch box 'I'. Switch OFF by pushing 'O'.

Ensure all air connections are secure, and the pick up is correctly located beneath the grid, before filling the cabinet with abrasive media. Do not fill higher than the level of the grid.



NOTE: *PTFE tape is provided which may be used on the threads of the various connectors to ensure an airtight connection.*

Select the ceramic abrasive nozzle to produce the jet required for the abrasive media being used, and assemble according to the instructions given below.

Place the object to be cleaned in the cabinet, and close the lid, securing with the swivel clip.

Turn on the extraction device which must be attached to the port on the left side of the cabinet before turning on the air supply.

Set the pressure to the required value, but not higher than 100lbf/in², and check to ensure there are no air leaks. Should there be any, turn off the air supply and repair where necessary, before turning the supply back on. Pull the trigger on the gun and proceed to blast the object to be cleaned.

Keep the jet facing the object and away from the clear plastic lid. Do not allow the jet to train on the rubber gloves, the air hose within the cabinet or the fluorescent lamp.

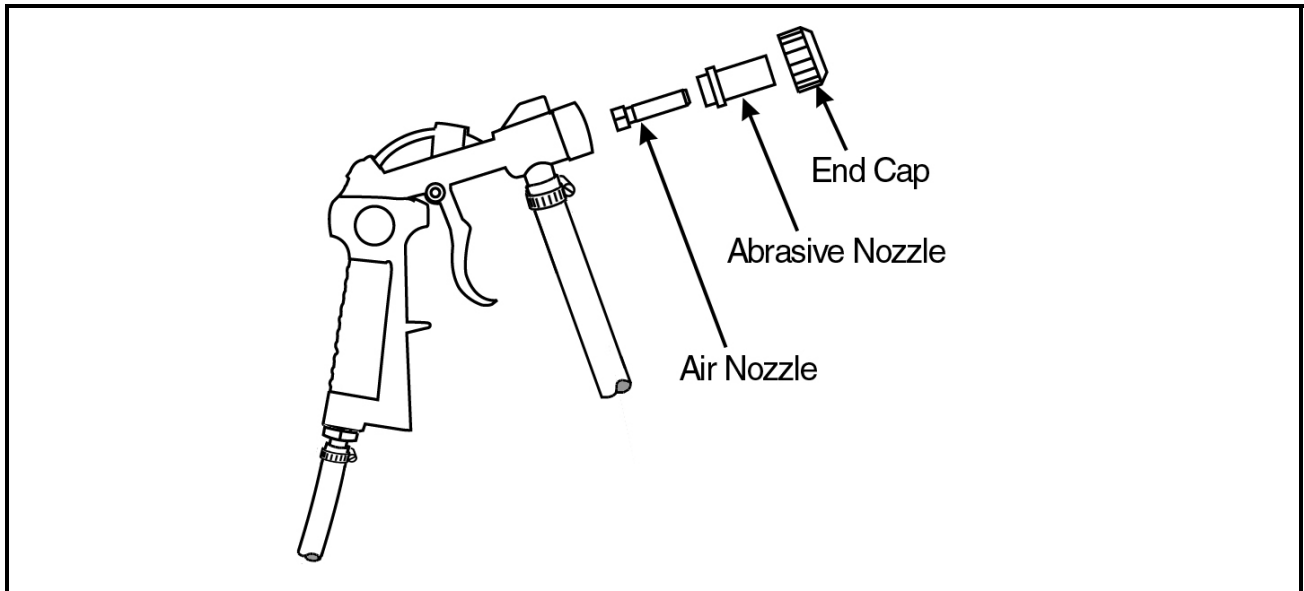
When completed, release the trigger then turn off the air supply. As a precautionary measure, **ALWAYS** pull the trigger before opening the lid.

NOTE: There are no hard or fast rules governing nozzle sizes and air pressures used with different abrasives. With experience and experimentation you will quickly learn the best combinations for the required result.

NOTE: On more delicate parts, start with minimal air pressure to avoid unnecessary peening or excessive abrasion, and work up to a setting to produce the desired finish.

CAUTION: SHOULD ANY ABRASIVE BE SPILLED, ENSURE IT IS CLEANED UP IMMEDIATELY, AS ITS SLIPPERY PROPERTIES CAN BE EXTREMELY HAZARDOUS.

REPLACING THE ABRASIVE NOZZLE



Ensure the air supply is disconnected before performing this operation.

1. Pull the trigger of the gun as a precautionary measure.
2. Unscrew the end cap and withdraw the ceramic nozzle.
3. Replace with the nozzle of your choice and carefully thread the end cap back on to the gun, taking great care **NOT** to cross thread the fine thread.

NOTE: Should it be necessary to change the air nozzle, first remove the abrasive nozzle as described above. A box spanner will be required to unscrew and withdraw the air nozzle.

MAINTENANCE

Before use, check to ensure that all parts are serviceable, including the air inlet hose, rubber gloves, and abrasive pick up.

The door securing clamp must be perfectly serviceable so as not to allow the door to open during operation. The build up of air pressure within the cabinet could force the door open, allowing abrasive to escape. This is not only wasteful, but could be a health hazard.

Change the window protective film should visibility be impaired. Simply peel off the old film and replace with a new one. Replacement protection film is available from your Clarke dealer.

Ensure you comply with all precautions regarding the use of compressed air, and air compressor operation.

Inspect the abrasive media regularly. If badly contaminated, it should be replaced. A hinged cover is provided at the base of the funnel to allow quick draining of the media.

TROUBLESHOOTING

| Problem | Check | Solution |
|--|---|---|
| Excessive dust in the cabinet. | No dust extract device used. | Install dust extract device. |
| | Air vent or overflow blocked. | Clean rear vent and keep vent away from any wall. |
| | Abrasive media worn. | Replace abrasive media |
| | Too much abrasive media in the cabinet. | Remove excessive media. |
| | Loose airline or loose connections. | Tighten fittings and ensure airline is secure. |
| Uneven blasting action | Too much abrasive media in the cabinet. | Remove excessive media. |
| | Abrasive is damp. | Renew abrasive or dry thoroughly before use. |
| | Moisture present inside cabinet. | Check airline to ensure it is free from moisture. |
| Inadequate speed or inefficient blast. | Abrasive media worn. | Replace abrasive media |
| | Pressure too low. | Increase inlet pressure and ensure control valve is fully open. |
| Static electricity present | Dry weather conditions. | Leave the item to be cleaned on the grid. |
| Excessive media blown into the surrounding | Door not secure. | Secure the door with the clip provided. |

SPECIFICATION

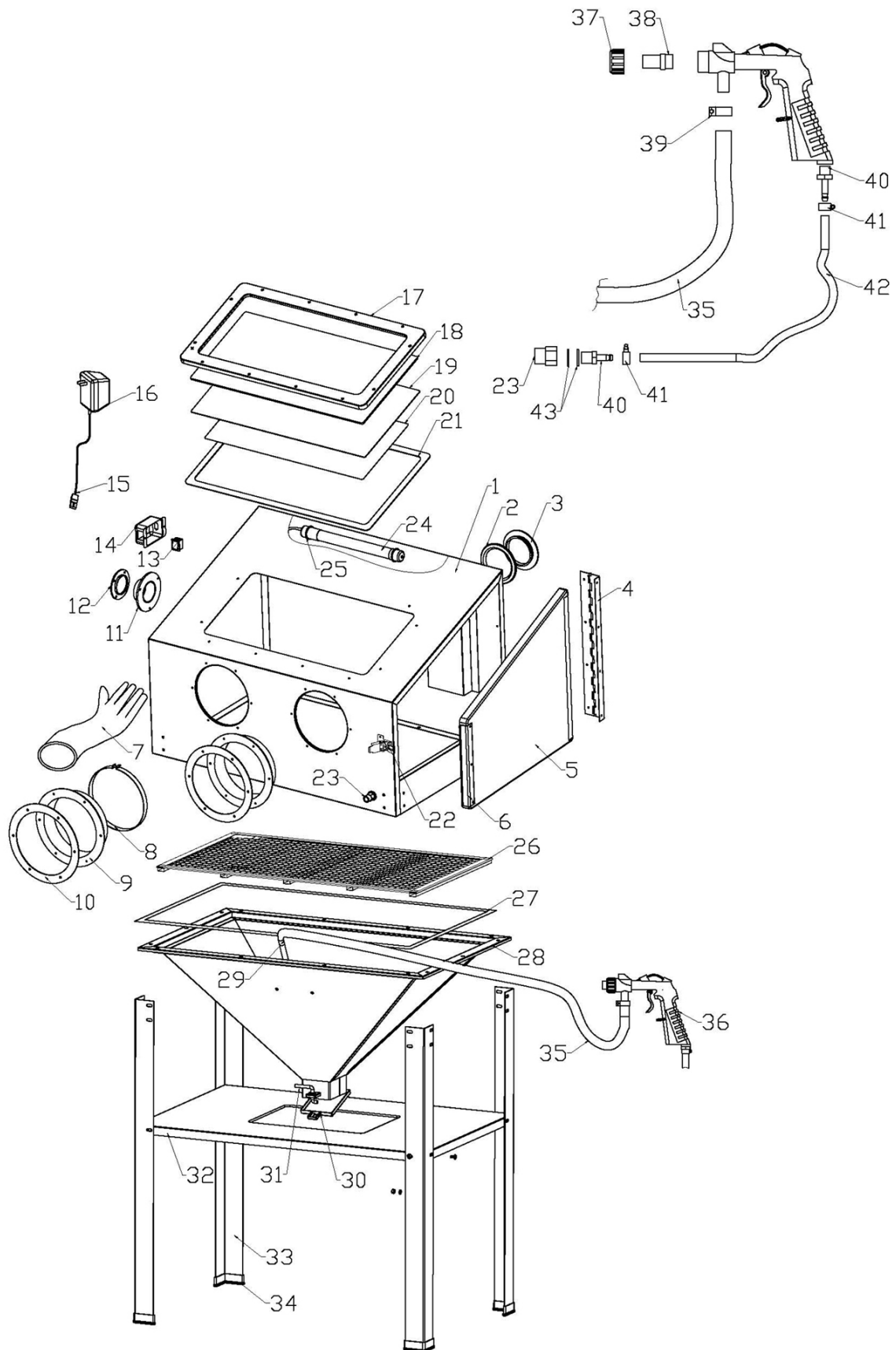
| | |
|--|---|
| Model | SB30 |
| Weight | 44.60kg |
| External Dimensions (D x W x H) | 600 x 930 x 1385mm |
| Cabinet Inner Dimensions (D x W x H) | 555 x 860 x (Front)363mm 555 x 860 x (Rear)560mm |
| Max Air Supply | 10psi (7 Bar) |
| Min. Air Delivery (Cubic Feet per Minute) | 10CFM |
| Electrical Power Supply | 230V 50Hz 1ph |
| Power Cable Length | 1850mm |
| Light Voltage | 12V DC |
| Light Wattage | 4W |
| Light Illumination | 500 Lumens |

PARTS LIST

| PART NO | DESCRIPTION |
|---------|------------------------|
| 1 | Cabinet |
| 2 | Intake Guard Ring |
| 3 | Intake Vent Cover |
| 4 | Hinge |
| 5 | Plastic Door |
| 6 | Metal Liner |
| 7 | Gloves (pair) |
| 8 | Clamp for Glove |
| 9 | Glove mounting ring |
| 10 | Rubber Insert |
| 11 | Suction Flange |
| 12 | Suction Flange Cover |
| 13 | Switch |
| 14 | Low Voltage Switch Box |
| 15 | Low Voltage Plug |
| 16 | Adaptor |
| 17 | Plastic Frame |
| 18 | Plexiglass |
| 19 | Glass |
| 20 | Protective Film |
| 21 | Cotton Sealant |
| 22 | Swivel Clip |

| PART NO | DESCRIPTION |
|---------|------------------------|
| 23 | Air Adaptor Nut |
| 24 | Low Voltage LED Light |
| 25 | Light Clamp |
| 26 | Steel Screen |
| 27 | Cotton Sealant |
| 28 | Cabinet Duct |
| 29 | Abrasive Suction Pipe |
| 30 | Abrasive Removal Cover |
| 31 | Cover Lock |
| 32 | Shelf |
| 33 | Legs |
| 34 | Feet |
| 35 | Abrasive Intake Hose |
| 36 | Abrasive Gun |
| 37 | Nozzle Adaptor Nut |
| 38 | Nozzle |
| 39 | Clamp |
| 40 | Air Hose Adaptor |
| 41 | Clamp |
| 42 | Air Hose |
| 43 | Flat Washer |
| | |

PARTS DIAGRAM



DECLARATION OF CONFORMITY - UKCA



Clarke[®]
INTERNATIONAL

Hernnall Street, Epping, Essex CM16 4LG

DECLARATION OF CONFORMITY

This is an important document and should be retained.

We hereby declare that this product(s) complies with the following statutory requirement(s):

Electrical Equipment (Safety) Regulations 2016

Electromagnetic Compatibility Regulations 2016

Pressure Equipment (Safety) Regulations 2016

Supply of Machinery Regulations 2008

The Restriction of the Use of Certain Hazardous Substances in Electrical and Electronic Equipment Regulations 2012

The following standards have been applied to the product(s):

EN 1248:2001+A1:2009, EN 60204-1:2018, EN 55015:2019+A11:2020, EN 61547:2009,

EN 61000-3-2:2019, EN 61000-3-3:2013 + A1:2019, IEC EN 62368-1:2014 + A11:2017,

EN 62321-4:2014 + A1:2017, EN 62321-5:2014, EN 62321-7-2:2017, EN 62321-6:2015,

EN 63000:2018

The technical documentation required to demonstrate that the product(s) meet(s) the requirement(s) of the aforementioned legislation has been compiled and is available for inspection by the relevant enforcement authorities.

The UKCA mark was first applied in: 2022

Product Description: Large Sand Blast Cabinet

Model number(s): SB30

Serial / batch Number: N/A

Date of Issue: 26/07/2022

Signed:

J.A. Clarke

Director

DECLARATION OF CONFORMITY - CE



Clarke[®]
INTERNATIONAL

Fitzwilliam Hall, Fitzwilliam Place, Dublin 2

DECLARATION OF CONFORMITY

This is an important document and should be retained.

We hereby declare that this product(s) complies with the following directive(s):

- 2014/35/EU *Low Voltage Equipment Directive*
- 2014/30/EC *Electromagnetic Compatibility Directive.*
- 2014/68/EU *Pressure Equipment Directive*
- 2006/42/EC *Machinery Directive*
- 2011/65/EU *Restrictions of the Use of Certain Hazardous Substances in Electrical and Electronic Equipment (RoHS) Directive*

The following standards have been applied to the product(s):

- EN 1248:2001+A1:2009, EN 60204-1:2018, EN 55015:2019+A11:2020, EN 61547:2009,
- EN 61000-3-2:2019, EN 61000-3-3:2013 + A1:2019, IEC EN 62368-1:2014 + A11:2017,
- EN 62321-4:2014 + A1:2017, EN 62321-5:2014, EN 62321-7-2:2017, EN 62321-6:2015,
- EN 63000:2018

The technical documentation required to demonstrate that the product(s) meet(s) the requirement(s) of the aforementioned directive(s) has been compiled and is available for inspection by the relevant enforcement authorities.



The CE mark was first applied in: 2014



Product Description: Large Sand Blast Cabinet
Model number(s): SB30
Serial / batch Number: N/A
Date of Issue: 26/07/2022

Signed:

J.A. Clarke
Director

ASSOCIATED CLARKE PRODUCTS

| | |
|---|---|
| <p>Raider 15/550 Air Compressor - Raider 15/550</p> | <p>Pressurised Sandblaster - CPSB100B</p> |
|  |  |
| <ul style="list-style-type: none"> • 50 Litre Air Receiver, 14.5cfm Air Displacement, 8Bar Max. Operating Pressure. • Dims: 710mm x 360mm x 650mm, 38.5kg • Part No. 2242117 | <ul style="list-style-type: none"> • 32 Litre Tank Volume, 40kg Sand Capacity, 4.4 - 8.6Bar Working Pressure. • Dims: 345mm x 500mm x 855mm • Part No. 7640133 |

| | |
|---|--|
| <p>Aluminium Oxide Powder</p> | <p>Soda Blast Abrasive</p> |
|  |  |
| <ul style="list-style-type: none"> • Comes in 60, 80, 120, 60-80, 80-120 Grit Sizes • Comes in 7.5kg & 22kg sizes. • Part No. Numerous | <ul style="list-style-type: none"> • Comes in 7.5kg & 22kg size • Part No. 3052805 & 3052800 |

A SELECTION FROM THE VAST RANGE OF

Clarke®

QUALITY PRODUCTS



AIR COMPRESSORS
From DIY to industrial, Plus air tools, spray guns and accessories.

GENERATORS
Prime duty or emergency standby for business, home and leisure.

POWER WASHERS
Hot and cold, electric and engine driven - we have what you need

WELDERS
Mig, Arc, Tig and Spot. From DIY to auto/industrial.

METALWORKING
Drills, grinders and saws for DIY and professional use.

WOODWORKING
Saws, sanders, lathes, mortisers and dust extraction.

HYDRAULICS
Cranes, body repair kits, transmission jacks for all types of workshop use.

WATER PUMPS
Submersible, electric and engine driven for DIY, agriculture and industry.

POWERTOOLS
Angle grinders, cordless drill sets, saws and sanders.

STARTERS/CHARGERS
All sizes for car and commercial use.



PARTS & SERVICE: 0208 988 7400

Parts Enquiries
Parts@clarkeinternational.com

Servicing & Technical Enquiries
Service@clarkeinternational.com

SALES: UK 01992 565333 or Export 00 44 (0)1992 565335

Clarke® INTERNATIONAL Hemnall Street, Epping, Essex CM16 4LG
www.clarkeinternational.com